

500 Series

Blue Water Bridge, Sarnia, Ontario

Building Size: 4' x 10'

Project Duration: 12 weeks



Delivered in the required time frame, their unmatched quality ensured a fast and easy installation.

PROJECT OVERVIEW:

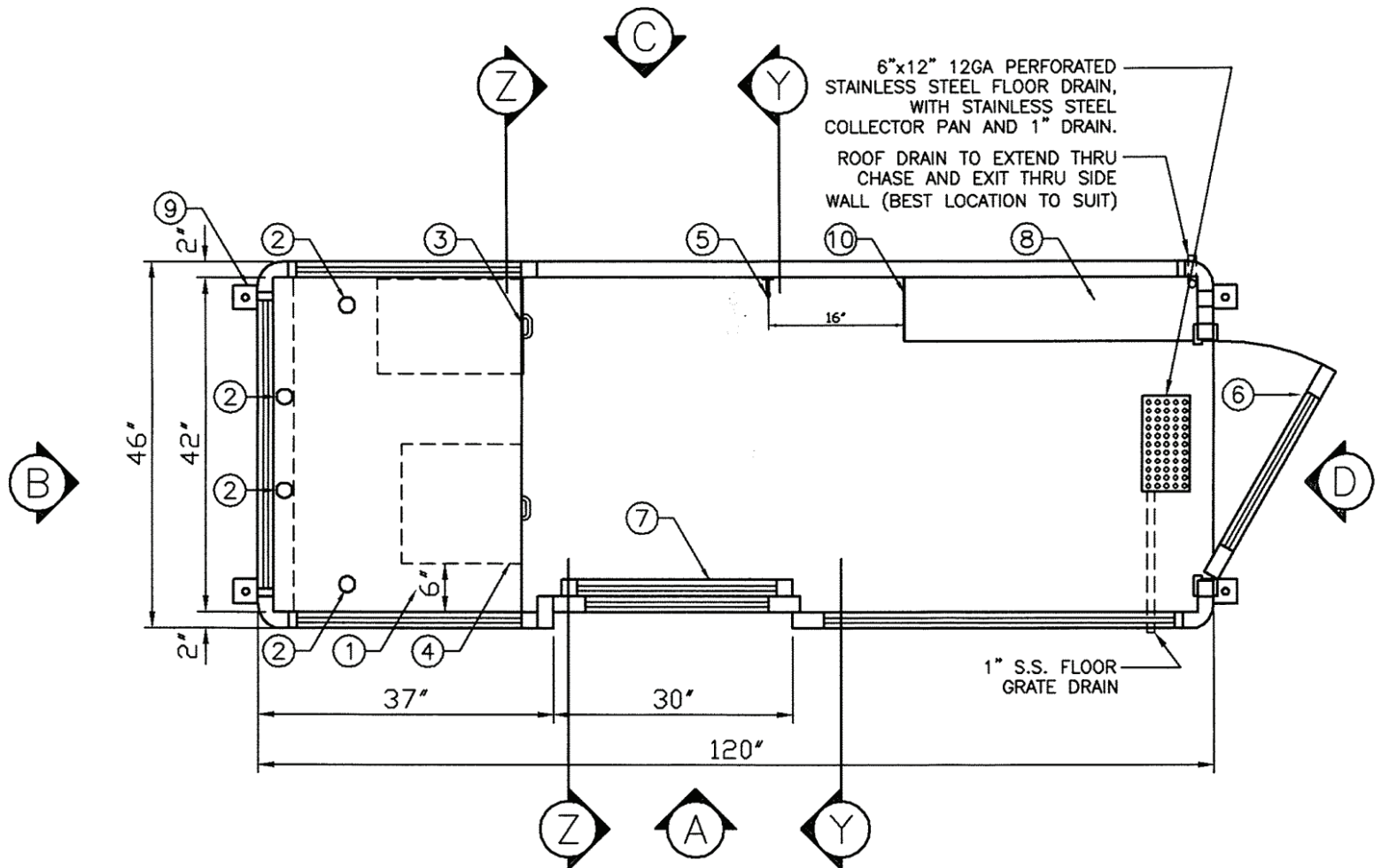
When the International Panel overseeing the operations for this International border crossing, decided to upgrade the Canadian side of the bridge, they chose Canada Kiosk's stainless steel kiosks. Delivered in the required time frame, their unmatched quality ensured a fast and easy installation on prepared pads.

FEATURES & BENEFITS

- Paparapet hides a high powered air delivery system designed to supply clean air from above the canopy
- Rounded corners

SELECTION. STYLE. SECURITY. SPEED.

FLOOR PLAN



Our expert sales staff can analyze your site, record architectural components and features, then design and propose a concept with floor plan and coloured rendering (for your approval). No obligation. Renderings assist in site plan approval.

SELECTION. STYLE. SECURITY. SPEED.